



Cambridge O Level

CANDIDATE NAME



CENTRE NUMBER

--	--	--	--	--

CANDIDATE NUMBER

--	--	--	--

PHYSICS

5054/22

Paper 2 Theory

October/November 2024

1 hour 45 minutes

You must answer on the question paper.

No additional materials are needed.

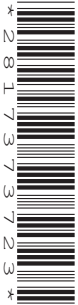
INSTRUCTIONS

- Answer **all** questions.
- Use a black or dark blue pen. You may use an HB pencil for any diagrams or graphs.
- Write your name, centre number and candidate number in the boxes at the top of the page.
- Write your answer to each question in the space provided.
- Do **not** use an erasable pen or correction fluid.
- Do **not** write on any bar codes.
- You may use a calculator.
- You should show all your working and use appropriate units
- Take the weight of 1.0 kg to be 9.8 N (acceleration of freefall = 9.8 m/s^2).

INFORMATION

- The total mark for this paper is 80.
- The number of marks for each question or part question is shown in brackets [].

This document has **20** pages. Any blank pages are indicated.



* 2817373723 *





1 A jet ski is a type of boat that carries one or two people and travels at high speed on water.

Fig. 1.1 shows a student riding on a jet ski.

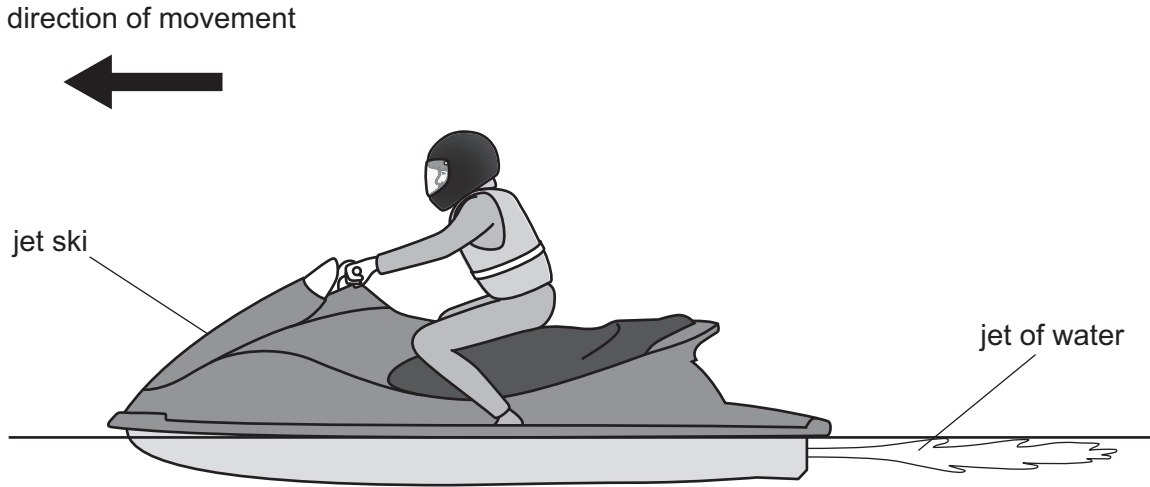


Fig. 1.1

A high-speed jet of water is forced backwards out of the back of the jet ski by a pump inside the jet ski.

- (a) The pump increases the momentum of the water that is forced backwards out of the back of the jet ski.
 - (i) Complete the word equation to show the relationship between the resultant force on an object and the change in momentum of the object.

resultant force =

[1]

- (ii) In 2.0s, the pump increases the backwards speed of 180 kg of water by 30 m/s.
Calculate the backwards force exerted on the water.

force = N [2]





(b) (i) Using Newton's third law of motion, explain why there is a forwards force on the jet ski.

.....
.....
.....
..... [2]

(ii) The student has a mass of 70 kg and the jet ski has a mass of 280 kg.

Use your answer from (a)(ii) to determine the acceleration of the student and jet ski when no resistive forces are acting.

acceleration = m/s² [2]

(c) The jet ski reaches a speed of 20 m/s.

Calculate the total kinetic energy of the student and jet ski at this speed.

kinetic energy = J [3]

[Total: 10]

DO NOT WRITE IN THIS MARGIN

DO NOT WRITE IN THIS MARGIN

DO NOT WRITE IN THIS MARGIN

DO NOT WRITE IN THIS MARGIN

DO NOT WRITE IN THIS MARGIN





- 2 A glass beaker of mass m is at rest on a horizontal surface.

The base of the beaker is a circle with a radius r .

- (a) The beaker exerts a pressure on the horizontal surface.

Determine an expression for the pressure in terms of the gravitational field strength g , m and r .

pressure =

[2]

- (b) Fig. 2.1 shows the beaker being filled with a liquid from container X.

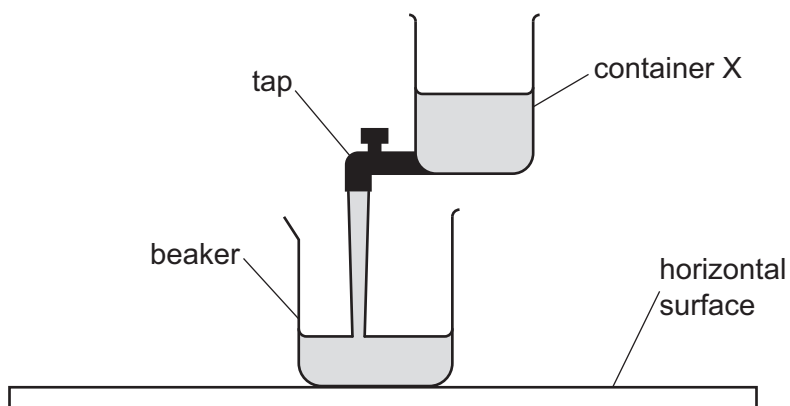


Fig. 2.1

Initially, the beaker is empty.

At time $t = 0$, the tap is opened and liquid from container X flows slowly into the beaker at a constant rate.

At time $t = T$, the liquid stops flowing into the beaker.





Sketch on Fig. 2.2 to show how the pressure exerted on the horizontal surface varies between $t = 0$ and $t = 2T$.

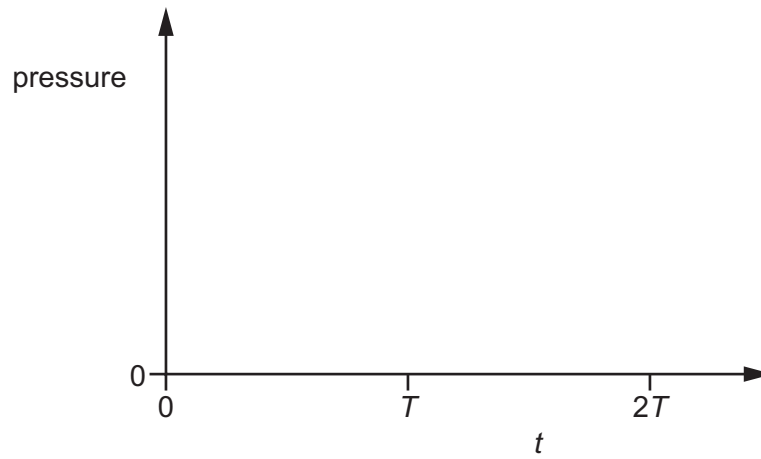


Fig. 2.2

[3]

[Total: 5]



DO NOT WRITE IN THIS MARGIN



(b) The thick insulation shown in Fig. 3.1 is made from a plastic material.

(i) The plastic material in the insulation is a poor thermal conductor.

Describe how thermal energy is transferred through a plastic material.

.....

.....

.....

..... [2]

(ii) The plastic material also contains a large number of small air bubbles.

Explain how the air bubbles reduce the transfer of thermal energy through the insulation.

.....

.....

.....

.....

..... [3]

[Total: 8]

DO NOT WRITE IN THIS MARGIN





4 Fig. 4.1 shows a large syringe that is sealed at the nozzle by wax. There is a piston inside the syringe.

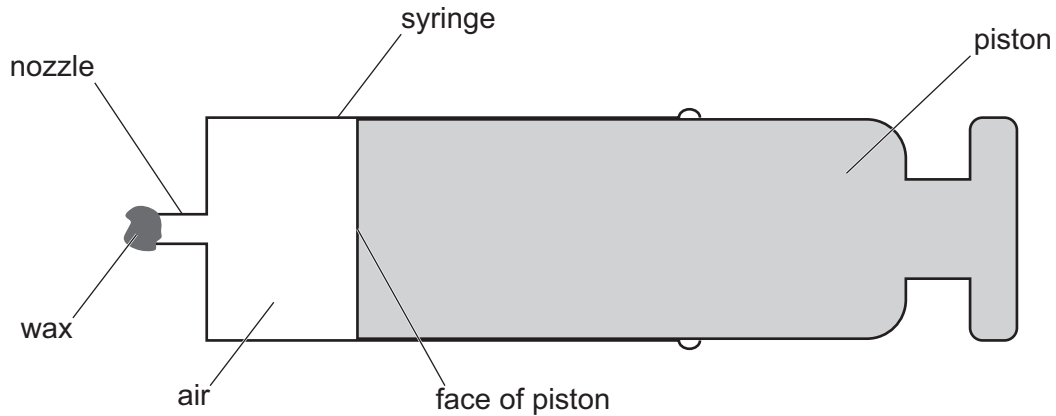


Fig. 4.1

The pressure of the air inside the syringe is equal to atmospheric pressure, $1.0 \times 10^5 \text{ Pa}$.

The volume of the air inside the syringe is $1.2 \times 10^{-4} \text{ m}^3$.

The area of the end of the piston that is in contact with the air is $3.5 \times 10^{-3} \text{ m}^2$.

The friction between the piston and the syringe is negligible.

(a) (i) Calculate the force on the piston due to the pressure of the air inside the syringe.

force = N [2]

(ii) The force on the piston in (a)(i) acts to the right.

Explain why the piston does not move to the right.

.....

.....

.....

..... [2]

DO NOT WRITE IN THIS MARGIN





(b) The piston is now pulled to the right by an additional force.

The temperature of the air in the syringe does not change.

(i) Explain, in terms of particles, why the pressure of the air in the syringe decreases.

.....

.....

.....

.....

..... [3]

(ii) Calculate the pressure of the air inside the syringe when the volume of the air is $1.5 \times 10^{-4} \text{ m}^3$.

pressure = Pa [2]

[Total: 9]

DO NOT WRITE IN THIS MARGIN





5 Some glass lenses are converging lenses, and others are diverging lenses.

(a) Draw the cross-section of a diverging lens.

[1]

(b) Fig. 5.1 shows the cross-section of a converging lens, the principal axis and the two principal foci (focal points) F_1 and F_2 on a full-scale grid.

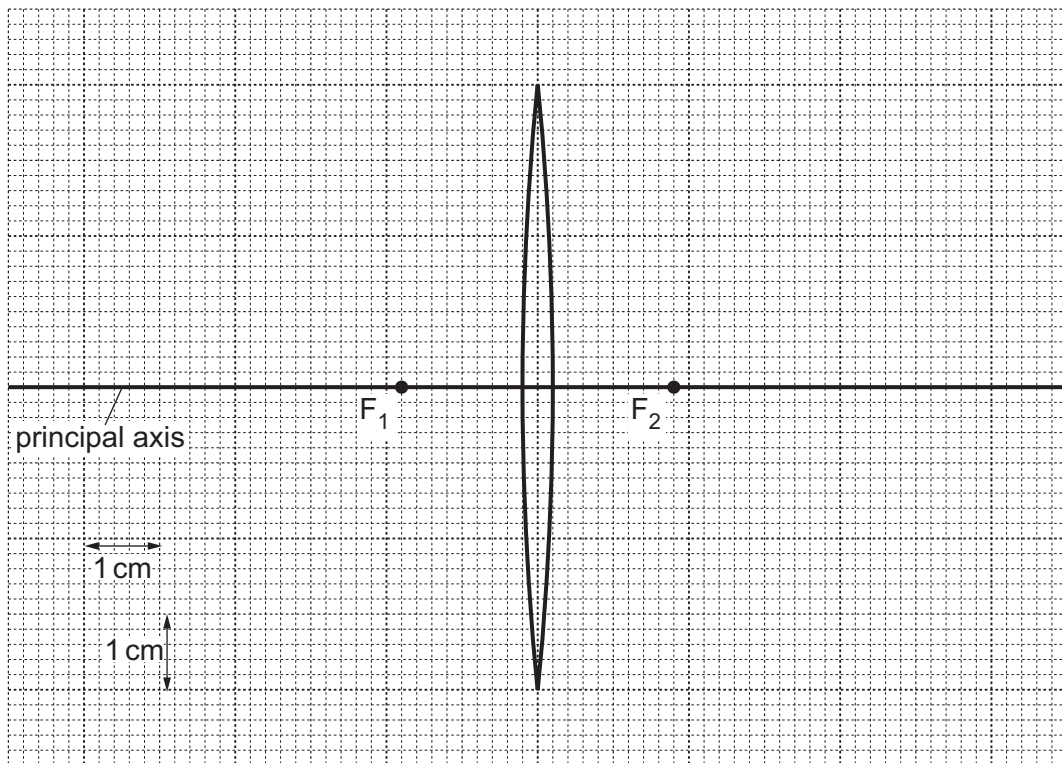


Fig. 5.1

DO NOT WRITE IN THIS MARGIN

DO NOT WRITE IN THIS MARGIN

DO NOT WRITE IN THIS MARGIN

DO NOT WRITE IN THIS MARGIN

DO NOT WRITE IN THIS MARGIN





A student places an object of height 2.1 cm at a distance of 3.0 cm from the centre of the lens.

- (i) Using Fig. 5.1, determine the focal length of the lens.

focal length = cm [1]

- (ii) On Fig. 5.1, draw a vertical arrow of height 2.1 cm that is 3.0 cm from the centre of the lens and label the arrow **O**. The arrow is the object. [1]

- (iii) On Fig. 5.1, draw **two** rays from the tip of the object arrow to find the tip of the image.

Draw another arrow to show the image. [3]

- (iv) Using the image marked on Fig. 5.1 in (b)(iii), determine the linear magnification produced.

magnification = [2]

- (v) Explain whether the image of the object is real or virtual.

.....
..... [1]

[Total: 9]

DO NOT WRITE IN THIS MARGIN





6 Fig. 6.1 shows the circuit symbol for a relay and two labelled terminals.

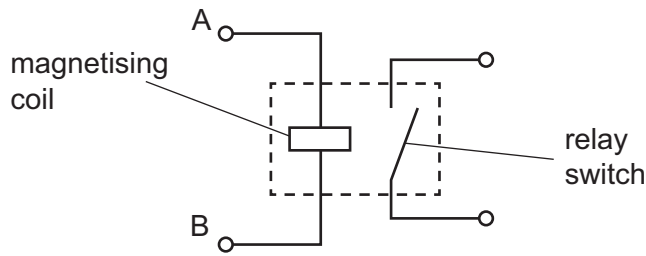


Fig. 6.1

(a) By referring to Fig. 6.1, explain the effect of a current passing from A to B.

.....

.....

.....

..... [2]

(b) Fig. 6.2 shows two circuits linked by a relay. The heater transfers energy at a rate of 40W when it is connected to a 12V supply.

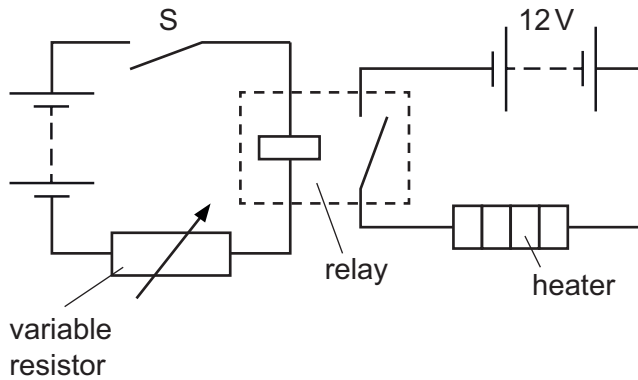


Fig. 6.2

Switch S is closed. The variable resistor is adjusted so that its resistance R increases from 0.

DO NOT WRITE IN THIS MARGIN





Fig. 6.3 shows how the power transferred in the 40W heater varies as R increases from 0. The graph shows a sharp decrease when the resistance R reaches R_H .

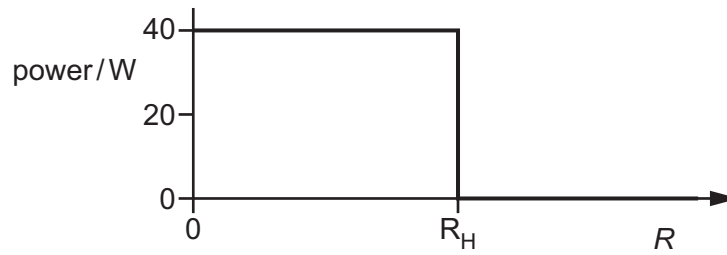


Fig. 6.3

Explain the shape of the graph in Fig. 6.3.

.....

.....

.....

.....

.....

.....

..... [3]

(c) The 40W heater connected to the 12V supply is switched on.

Calculate:

(i) the energy transferred in the heater in 2.0 minutes

energy = J [2]

(ii) the resistance of the heater.

resistance = Ω [3]

[Total: 10]

DO NOT WRITE IN THIS MARGIN





- 7 The frequency of an alternating current mains electricity supply is 50 Hz. The maximum voltage of the supply is 300 V.
- (a) Using the axes in Fig. 7.1, sketch a graph to show how the voltage of the supply varies in a time of 0.05 s.

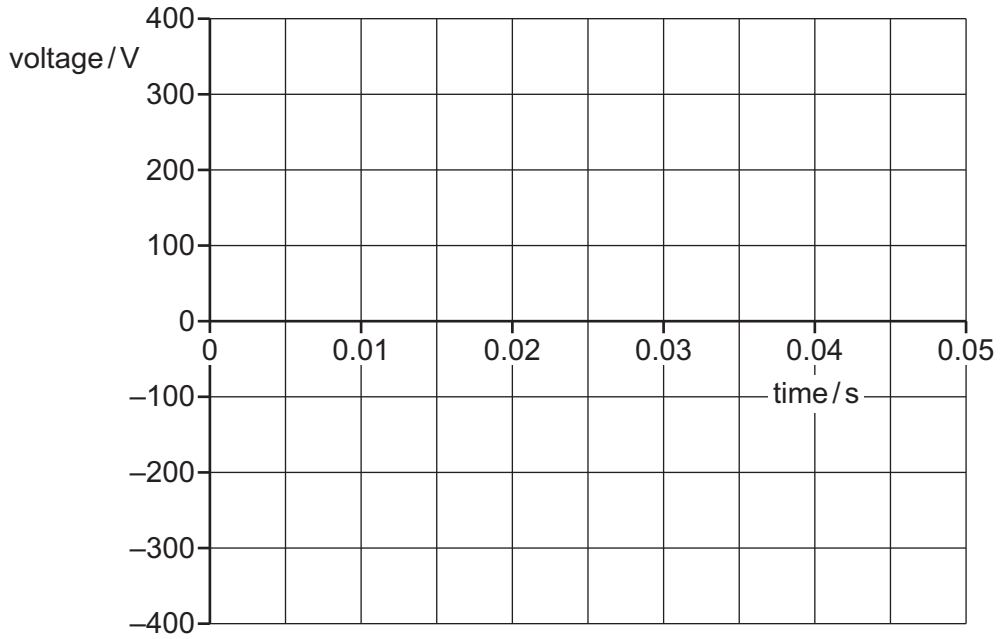


Fig. 7.1

[3]

DO NOT WRITE IN THIS MARGIN

DO NOT WRITE IN THIS MARGIN

DO NOT WRITE IN THIS MARGIN

DO NOT WRITE IN THIS MARGIN

DO NOT WRITE IN THIS MARGIN





(b) Fig. 7.2 shows the mains power supply connected to the primary coil of a transformer. The primary coil consists of 750 turns.

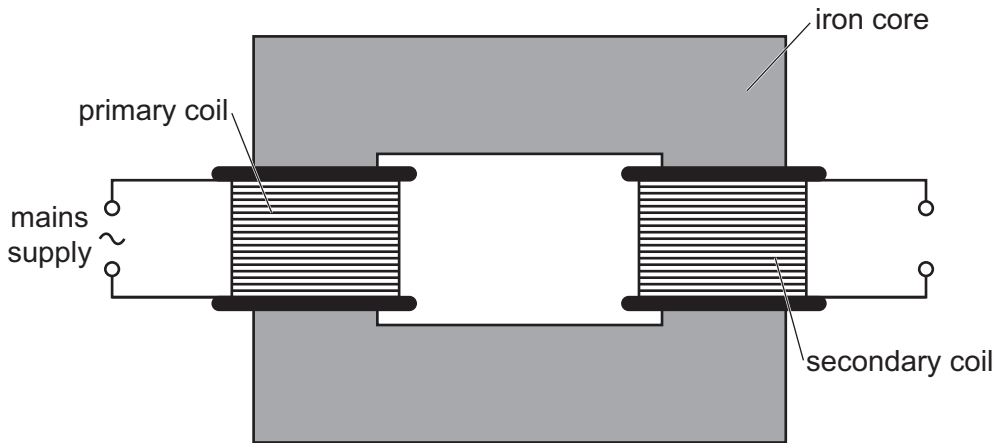


Fig. 7.2

(i) The core of the transformer is made from iron.

Explain why iron is a suitable material for the core of the transformer.

.....
 [1]

(ii) Explain why there is a voltage across the secondary coil.

.....

 [3]

(iii) There are 60 turns on the secondary coil.

Calculate the maximum value of the voltage across the secondary coil.

maximum voltage = V [2]

[Total: 9]

DO NOT WRITE IN THIS MARGIN





8 The isotope thorium-230 ($^{230}_{90}\text{Th}$) decays by alpha particle (α -particle) emission.

(a) (i) Describe the composition of an α -particle.

.....
..... [1]

(ii) State the name of the particle that is identical in composition to an α -particle.

..... [1]

(b) The α -particle decay of thorium-230 produces an isotope of radium.

Deduce:

(i) the number of neutrons in a neutral atom of this isotope of radium

number of neutrons = [1]

(ii) the number of electrons in a neutral atom of this isotope of radium.

number of electrons = [1]

(c) The half-life of thorium-230 is 75 000 years.

A radioactive sample contains 7.2×10^{16} thorium-230 atoms.

Determine the time it takes for the number of thorium-230 atoms to decrease to 9.0×10^{15} .

time = years [3]

DO NOT WRITE IN THIS MARGIN





(d) When it decays, thorium-230 also emits gamma radiation (γ -radiation).

Fig. 8.1 shows a narrow beam of γ -radiation passing into an electric field.

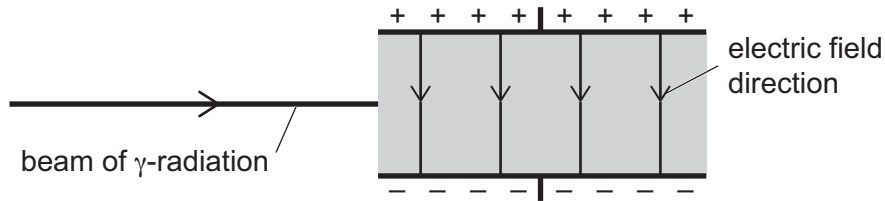


Fig. 8.1

- (i) On Fig. 8.1, sketch the path of the γ -radiation in the electric field. [1]
- (ii) Fig. 8.2 shows the electric field replaced with a magnetic field that is directed into the page.

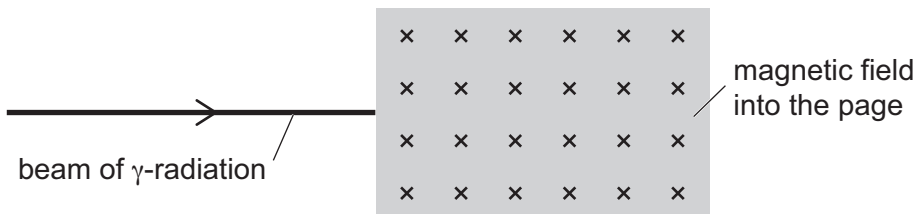


Fig. 8.2

On Fig. 8.2, sketch the path of the γ -radiation in the magnetic field. [1]

[Total: 9]

DO NOT WRITE IN THIS MARGIN





9 The Earth has a radius of 6.4×10^6 m and rotates on its axis once in every 24 hours.

(a) Fig. 9.1 shows that as the Earth rotates, objects on the surface of the Earth move in circular paths around the axis of rotation.

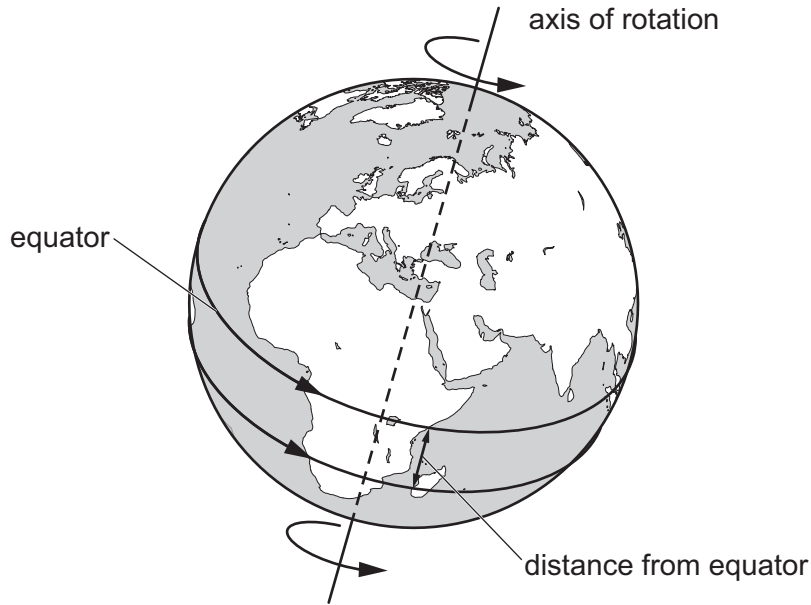


Fig. 9.1

(i) Calculate the speed of an object at the equator as it moves in a circular path around the axis of rotation.

speed = m/s [3]

(ii) Explain why the speed around the axis of rotation of an object on the Earth decreases as the distance of the object from the equator increases.

.....

.....

..... [2]

DO NOT WRITE IN THIS MARGIN

DO NOT WRITE IN THIS MARGIN

DO NOT WRITE IN THIS MARGIN

DO NOT WRITE IN THIS MARGIN

DO NOT WRITE IN THIS MARGIN





(b) The Earth moves around the Sun because a force acts on the Earth.

(i) State what provides this force.

.....
.....
..... [2]

(ii) The orbit of the Earth around the Sun is an ellipse.

Describe what happens to the magnitude of the force that acts on the Earth as it moves in this elliptical orbit.

.....
.....
.....
..... [2]

(iii) Explain why the Earth travels the slowest when it is at its furthest distance from the Sun.

.....
.....
.....
..... [2]

[Total: 11]

DO NOT WRITE IN THIS MARGIN





BLANK PAGE

DO NOT WRITE IN THIS MARGIN

DO NOT WRITE IN THIS MARGIN

DO NOT WRITE IN THIS MARGIN

DO NOT WRITE IN THIS MARGIN

DO NOT WRITE IN THIS MARGIN

Permission to reproduce items where third-party owned material protected by copyright is included has been sought and cleared where possible. Every reasonable effort has been made by the publisher (UCLES) to trace copyright holders, but if any items requiring clearance have unwittingly been included, the publisher will be pleased to make amends at the earliest possible opportunity.

To avoid the issue of disclosure of answer-related information to candidates, all copyright acknowledgements are reproduced online in the Cambridge Assessment International Education Copyright Acknowledgements Booklet. This is produced for each series of examinations and is freely available to download at www.cambridgeinternational.org after the live examination series.

Cambridge Assessment International Education is part of Cambridge Assessment. Cambridge Assessment is the brand name of the University of Cambridge Local Examinations Syndicate (UCLES), which is a department of the University of Cambridge.

