



Cambridge International AS & A Level

CANDIDATE NAME



CENTRE NUMBER

--	--	--	--	--

CANDIDATE NUMBER

--	--	--	--



COMPUTER SCIENCE

9618/13

Paper 1 Theory Fundamentals

October/November 2024

1 hour 30 minutes

You must answer on the question paper.

No additional materials are needed.

INSTRUCTIONS

- Answer **all** questions.
- Use a black or dark blue pen.
- Write your name, centre number and candidate number in the boxes at the top of the page.
- Write your answer to each question in the space provided.
- Do **not** use an erasable pen or correction fluid.
- Do **not** write on any bar codes.
- You may use an HB pencil for any diagrams, graphs or rough working.
- Calculators must **not** be used in this paper.

INFORMATION

- The total mark for this paper is 75.
- The number of marks for each question or part question is shown in brackets [].
- No marks will be awarded for using brand names of software packages or hardware.

This document has **20** pages. Any blank pages are indicated.

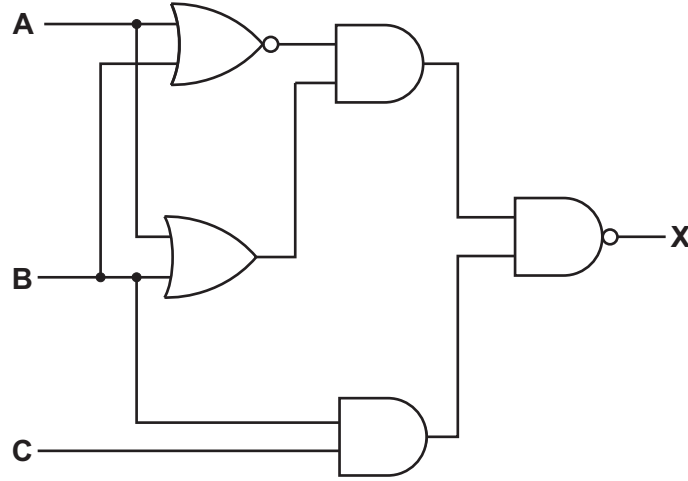




1 (a) Describe the operation of a 2-input XOR gate.

.....
..... [1]

(b) Write the logic expression for the following logic circuit.



X =
..... [2]

(c) Draw the logic circuit for the logic expression:

$$X = ((\text{NOT } A \text{ AND } (B \text{ AND } C)) \text{ OR } (B \text{ NAND } C)) \text{ AND NOT } A$$



[2]





2 A memory buffer uses Dynamic RAM (DRAM).

(a) Identify **two** differences between DRAM and Static RAM (SRAM).

Difference 1

.....

.....

Difference 2

.....

.....

[2]

(b) Explain how a memory buffer is used when a computer is transferring data to its magnetic hard disk drive.

.....

.....

.....

.....

.....

.....

.....

.....

[4]



DO NOT WRITE IN THIS MARGIN



3 A car has an automatic braking system.

A sensor is used to measure the distance to objects that are in front of the car.

The car automatically brakes if an object is too close to the front of the car or the distance between the car and the object is decreasing too quickly. The closer the object is to the front of the car, the harder the car brakes so that the car slows down more quickly.

Explain the reasons why the automatic braking system of the car is a control system.

.....

.....

.....

.....

.....

.....

..... [3]

DO NOT WRITE IN THIS MARGIN





4 A company makes ice cream and sells it to shops.

The ice cream is made in batches: a large quantity of one type and flavour of ice cream that is then split into smaller quantities for sale.

The company's owner has designed a relational database, ICECREAM, to store data about their ice cream and customers.

Some of the tables in the database are given. The database is not normalised.

BATCH(BatchID, Type, Flavour, Size, SellingPrice, EndDate)

CUSTOMER(CustomerID, CompanyName, EmailAddress, TelephoneNumber)

SALE(SaleID, BatchID, CustomerID, Quantity, Date)

(a) Identify **two** foreign keys in the table SALE and the table that each foreign key references.

Foreign key 1

Table name 1

Foreign key 2

Table name 2

[2]

(b) Write an SQL script to return the total quantity of ice cream sold to the customer with the ID of 0034E in the year 2023.

.....

.....

.....

.....

.....

..... [3]



DO NOT WRITE IN THIS MARGIN



(ii) The table BATCH is not normalised.

Normalise the database table BATCH.

Write the table definitions for your new tables.

Identify any primary and foreign keys in your tables.

Do **not** change or include the tables CUSTOMER and SALE.

.....

.....

.....

.....

.....

.....

.....

.....

.....

.....

.....

..... [4]

(d) Complete the following table by defining each database term.

Database term	Definition
Entity	<p>.....</p> <p>.....</p> <p>.....</p>
Attribute	<p>.....</p> <p>.....</p> <p>.....</p>

[2]

DO NOT WRITE IN THIS MARGIN





(e) A Database Management System (DBMS) supports data integrity.

Explain how a DBMS supports data integrity.

.....

.....

.....

.....

.....

.....

..... [3]

DO NOT WRITE IN THIS MARGIN

DO NOT WRITE IN THIS MARGIN

DO NOT WRITE IN THIS MARGIN

DO NOT WRITE IN THIS MARGIN

DO NOT WRITE IN THIS MARGIN





5 A computer programmer writes programs that are distributed with a software licence.

(a) Complete the table by writing the type of software licence each statement describes.

Statement	Software licence
A fee is charged for the software. The source code cannot be accessed. Users do not get a free trial.
Users can try the software before buying it. Users may not be able to access all features during the trial.
Software is usually free of charge. Users can access the source code and alter the program to their needs.

[3]

(b) Explain the reasons why it is important for the computer programmer to join a professional ethical body.

.....

.....

.....

.....

.....

.....

.....

.....

[3]



DO NOT WRITE IN THIS MARGIN



6 A computer system stores text, images and sound.

(a) A character set is used to represent characters in a computer.

Identify **and** describe **one** character set.

Character set

Description

..... [2]

(b) The colour of each pixel in a bitmapped image is represented by 8 bits.

(i) State the largest number of different colours that can be represented by 8 bits.

..... [1]

(ii) State **one** drawback of increasing the number of bits that represents each pixel in the bitmap image.

.....

..... [1]

(iii) A bitmap image can be compressed using lossy compression.

Explain the reasons why lossy compression is often suitable for a bitmap image.

.....

.....

.....

..... [2]

DO NOT WRITE IN THIS MARGIN

DO NOT WRITE IN THIS MARGIN

DO NOT WRITE IN THIS MARGIN

DO NOT WRITE IN THIS MARGIN

DO NOT WRITE IN THIS MARGIN





(c) (i) Explain how an analogue sound wave is converted into digital data.

.....

.....

.....

..... [2]

(ii) Describe **one** method of compressing a sound file using lossy compression.

.....

.....

.....

..... [2]

DO NOT WRITE IN THIS MARGIN





- 7 The following table shows part of the instruction set for a processor. The processor has two registers, the Accumulator (ACC) and the Index Register (IX).

Instruction		Explanation
Opcode	Operand	
LDM	#n	Immediate addressing. Load the number n to ACC
LDD	<address>	Direct addressing. Load the contents of the location at the given address to ACC
LDI	<address>	Indirect addressing. The address to be used is at the given address. Load the contents of this second address to ACC
LDX	<address>	Indexed addressing. Form the address from <address> + the contents of the index register. Copy the contents of this calculated address to ACC
LDR	#n	Immediate addressing. Load the number n to IX
ADD	#n/Bn/&n	Add the number n to the ACC
ADD	<address>	Add the contents of the given address to the ACC
SUB	#n/Bn/&n	Subtract the number n from the ACC
SUB	<address>	Subtract the contents of the given address from the ACC
INC	<register>	Add 1 to the contents of the register (ACC or IX)
DEC	<register>	Subtract 1 from the contents of the register (ACC or IX)
<address> can be an absolute or a symbolic address # denotes a denary number, e.g. #123 B denotes a binary number, e.g. B01001010 & denotes a hexadecimal number, e.g. &4A		





(a) The current contents of memory are shown:

Address	Data
50	54
51	55
52	50
53	52
54	100
55	25
56	50

The current contents of the ACC and IX are shown:

ACC	50
IX	45

Complete the table by writing the content of the ACC after each program has run.

	Instructions	ACC content
1	LDD 50 ADD #4 ADD 54	
2	LDI 53 DEC ACC ADD 56	
3	LDM #55 SUB #5	

[3]



DO NOT WRITE IN THIS MARGIN



(b) The instruction set also includes these bit manipulation instructions:

Instruction		Explanation
Opcode	Operand	
AND	#n/Bn/&n	Bitwise AND operation of the contents of ACC with the operand
AND	<address>	Bitwise AND operation of the contents of ACC with the contents of <address>
XOR	#n/Bn/&n	Bitwise XOR operation of the contents of ACC with the operand
XOR	<address>	Bitwise XOR operation of the contents of ACC with the contents of <address>
OR	#n/Bn/&n	Bitwise OR operation of the contents of ACC with the operand
OR	<address>	Bitwise OR operation of the contents of ACC with the contents of <address>

<address> can be an absolute or a symbolic address
denotes a denary number, e.g. #123
B denotes a binary number, e.g. B01001010
& denotes a hexadecimal number, e.g. &4A

Explain how bit manipulation can be used to clear the data in an 8-bit register.

Write the bit manipulation instruction that will be used.

Explanation

.....

Instruction

[3]

DO NOT WRITE IN THIS MARGIN

DO NOT WRITE IN THIS MARGIN

DO NOT WRITE IN THIS MARGIN

DO NOT WRITE IN THIS MARGIN

DO NOT WRITE IN THIS MARGIN





8 (a) Convert the hexadecimal number 1FAB into denary.

Working

.....

.....

Denary value [1]

(b) Explain how to convert the two's complement integer 10011111 into denary. Give the denary value after conversion.

Explanation

.....

.....

.....

.....

Denary value [3]

(c) Describe the difference between a right logical binary shift and a right arithmetic binary shift.

.....

.....

.....

..... [2]

DO NOT WRITE IN THIS MARGIN





9 A computer is connected to a Local Area Network (LAN) that connects to a Wide Area Network (WAN).

(a) Describe the characteristics of a WAN.

.....

.....

.....

..... [2]

(b) Copper cable can be used to transmit data in a network.

Complete the table by identifying **and** describing **two other** transmission media that can be used to transfer data in the WAN.

Transmission medium	Description
<p>.....</p> <p>.....</p> <p>.....</p>	<p>.....</p> <p>.....</p> <p>.....</p> <p>.....</p>
<p>.....</p> <p>.....</p> <p>.....</p>	<p>.....</p> <p>.....</p> <p>.....</p> <p>.....</p>

[4]

DO NOT WRITE IN THIS MARGIN

DO NOT WRITE IN THIS MARGIN

DO NOT WRITE IN THIS MARGIN

DO NOT WRITE IN THIS MARGIN

DO NOT WRITE IN THIS MARGIN





- (c) The computer on the LAN is used for real-time video conferences, where people connected to the internet communicate in real-time using video and audio.

Explain how bit streaming is used in a real-time video conference.

.....

.....

.....

.....

.....

.....

.....

.....

.....

.....

.....

..... [4]

- (d) The LAN has a router. The router has a public IP address and a private IP address.

- (i) State the purpose of a public IP address and a private IP address.

Public IP address

.....

Private IP address

.....

..... [2]

- (ii) The LAN uses subnetting.

Describe the purpose of subnetting in a network.

.....

.....

.....

..... [2]

DO NOT WRITE IN THIS MARGIN







BLANK PAGE

DO NOT WRITE IN THIS MARGIN





BLANK PAGE

DO NOT WRITE IN THIS MARGIN

DO NOT WRITE IN THIS MARGIN

DO NOT WRITE IN THIS MARGIN

DO NOT WRITE IN THIS MARGIN

DO NOT WRITE IN THIS MARGIN

Permission to reproduce items where third-party owned material protected by copyright is included has been sought and cleared where possible. Every reasonable effort has been made by the publisher (UCLES) to trace copyright holders, but if any items requiring clearance have unwittingly been included, the publisher will be pleased to make amends at the earliest possible opportunity.

To avoid the issue of disclosure of answer-related information to candidates, all copyright acknowledgements are reproduced online in the Cambridge Assessment International Education Copyright Acknowledgements Booklet. This is produced for each series of examinations and is freely available to download at www.cambridgeinternational.org after the live examination series.

Cambridge Assessment International Education is part of Cambridge Assessment. Cambridge Assessment is the brand name of the University of Cambridge Local Examinations Syndicate (UCLES), which is a department of the University of Cambridge.

