

CANDIDATE
NAME

CENTRE
NUMBER

--	--	--	--	--

CANDIDATE
NUMBER

--	--	--	--



BIOLOGY

9700/32

Paper 3 Advanced Practical Skills 2

May/June 2018

2 hours

Candidates answer on the Question Paper.

Additional Materials: As listed in the Confidential Instructions.

READ THESE INSTRUCTIONS FIRST

Write your Centre number, candidate number and name on all the work you hand in.

Write in dark blue or black pen.

You may use an HB pencil for any diagrams or graphs.

Do not use staples, paper clips, glue or correction fluid.

DO **NOT** WRITE IN ANY BARCODES.

Answer **all** questions.

Electronic calculators may be used.

You may lose marks if you do not show your working or if you do not use appropriate units.

At the end of the examination, fasten all your work securely together.

The number of marks is given in brackets [] at the end of each question or part question.

For Examiner's Use	
1	
2	
Total	

This document consists of **13** printed pages and **3** blank pages.

Before you proceed, read carefully through the **whole** of Question 1 and Question 2.

Plan the use of the **two hours** to make sure that you finish all the work that you would like to do.

If you have enough time, think about how you can improve the confidence in your results, for example by obtaining and recording one or more additional measurements.

You will **gain marks** for recording your results according to the instructions.

- 1 You are required to investigate the effect of concentration of hydrochloric acid (independent variable) on the rate of diffusion.

The investigation involves placing agar cubes containing an indicator into dilute hydrochloric acid. As the acid diffuses into the agar cubes the indicator changes colour.

You are provided with the materials shown in Table 1.1.

Table 1.1

labelled	contents	hazard	volume/cm ³
H	1.0 mol dm ⁻³ hydrochloric acid	irritant	100
A	agar	none	–
W	distilled water	none	60

It is recommended that you wear suitable eye protection.

If **H** comes into contact with your skin, wash it off immediately under cold water.

You must not touch the agar with your hands. Use the blunt forceps and paper towel to handle the agar.

You will need to carry out a trial test (step 1 to step 4) before you start your investigation.

Read step 1 to step 4 before proceeding.

1. Cut 3 cubes from the agar, **A**, as shown in Fig. 1.1. Each cube should be approximately 5 mm × 5 mm × 5 mm but they must all have the same dimensions. Cut the cubes from **A** on the white tile provided.

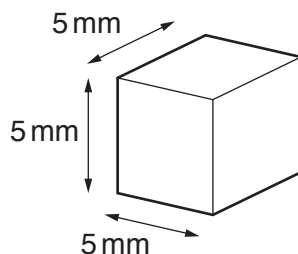


Fig. 1.1

2. Put 10 cm³ of 1.0 mol dm⁻³ hydrochloric acid, **H**, into a beaker.
3. Put the 3 cubes you cut in step 1 into the beaker containing **H**, using blunt forceps. Start timing.

As the acid diffuses into the agar cubes they change colour. The end-point is reached when the blue-green colour disappears and the **whole cube** has changed colour from blue-green to pink.

Putting the beaker on the white card provided may help you to see the colour changes more clearly.

4. Measure the time taken for each cube to reach the end-point and record the times in **(a)(i)**. If any cube remains blue-green after 3 minutes record as 'more than 180'.

(a) (i) Record your results in an appropriate table.

[2]

(ii) Calculate the mean time taken for the cubes to reach the end-point.

mean time =[1]

- (iii) A student carried out this trial experiment and recorded three results which were not consistent.

Identify **one** error in this trial procedure that could have caused repeated results to be inconsistent.

.....
[1]

The student investigated the effect of concentration of hydrochloric acid on the rate of diffusion and suggested the hypothesis:

Lowering the concentration of hydrochloric acid below 1.0 mol dm^{-3} will have no effect on the rate of diffusion of acid into the agar cubes.

You will need to investigate this hypothesis by:

- diluting **H** to provide four further concentrations of hydrochloric acid
- putting agar cubes into each of these concentrations of hydrochloric acid
- measuring the rate at which the hydrochloric acid diffuses into the agar cubes.

- (iv) State two variables that you will need to standardise during your investigation.

1

2 [2]

You will need to use simple (proportional) dilution of the 1.0 mol dm^{-3} hydrochloric acid, **H**, to prepare four further concentrations of hydrochloric acid.

You need to prepare 10 cm^3 of each concentration.

- (v) Complete Table 1.2 to show how you will prepare these concentrations.

Table 1.2

volume of 1.0 mol dm^{-3} hydrochloric acid / cm^3	volume of distilled water, W / cm^3	final concentration of hydrochloric acid / mol dm^{-3}
10	0	1.0
		0.8
		0.6
		0.4
		0.2

[2]

Read step 5 to step 10 before proceeding.

5. Prepare the concentrations of hydrochloric acid, as shown in Table 1.2, in the beakers provided.
 6. Cut three cubes, each approximately $5\text{ mm} \times 5\text{ mm} \times 5\text{ mm}$, from **A**. Cut the cubes on the white tile provided.
 7. Put the 3 cubes into the beaker containing 1.0 mol dm^{-3} hydrochloric acid, **H**, and immediately start timing. Do **not** stir.
 8. Measure the time taken for each cube to reach the end-point and record the times in **(a)(vi)**. If any cube remains blue-green after 3 minutes record as 'more than 180'.
 9. Repeat step 6 to step 8 for each of the other concentrations of hydrochloric acid you have prepared.
 10. Calculate the mean time taken for each concentration and record the mean times in **(a)(vi)**.
- (vi)** Record your results and mean times in an appropriate table.

[3]

- (vii)** Using your mean times, calculate the rate of diffusion when the concentration of hydrochloric acid is 1.0 mol dm^{-3} **and** in the lowest concentration of hydrochloric acid you have investigated.

rate in 1.0 mol dm^{-3} hydrochloric acid s^{-1}

rate in the lowest concentration s^{-1}

[1]

The student's hypothesis stated that:

Lowering the concentration of hydrochloric acid below 1.0 mol dm^{-3} will have no effect on the rate of diffusion of acid into the agar cubes.

- (viii) State whether you **support** or **reject** this hypothesis. Explain how your results provide evidence for this decision.

support or reject

explanation

.....

.....

.....[2]

- (ix) This procedure investigated the effect of the concentration of hydrochloric acid on the rate of diffusion.

To modify this procedure for investigating a different variable, the concentration of hydrochloric acid would need to be standardised.

Suggest the concentration of hydrochloric acid that should be used. Give a reason for your answer.

concentration

reason

[1]

- (x) Think about how you could modify this procedure to investigate the effect of surface area to volume ratio on the rate of diffusion.

Describe the modifications needed to investigate the effect of surface area to volume ratio.

.....

.....

.....

.....[2]

Question 1 continues on page 8

- (b) A scientist carried out an experiment to investigate whether a chemical, **C**, extracted from the flowers of a plant, was able to inhibit the reproduction of pathogenic bacteria.

The scientist prepared 5 Petri dishes containing agar (agar plates) which had each been inoculated with a different type of pathogenic bacterium.

A filter paper disc, soaked in chemical **C**, was put onto each agar plate. Chemical **C** diffused from the filter paper disc into the agar. The agar plates were incubated at 25 °C to allow the bacteria in the agar to reproduce.

A clear zone, called a zone of inhibition, is observed around the filter paper disc if the chemical is effective at preventing bacteria from reproducing, as shown in Fig. 1.2.

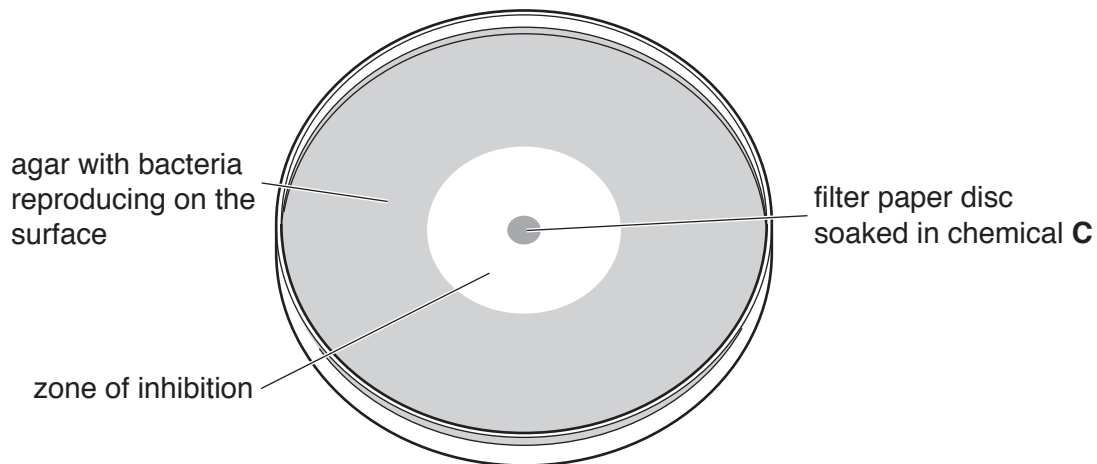


Fig. 1.2

The scientist measured the diameter of the zone of inhibition produced in the agar for each of the 5 different types of pathogenic bacterium.

The results are shown in Table 1.3.

Table 1.3

type of pathogenic bacterium	diameter of zone of inhibition /mm
P	7.0
Q	24.0
R	18.0
S	15.5
T	19.0

- (i) Draw a bar chart of the data in Table 1.3 on the grid in Fig. 1.3. Each bar should be separated for each type of pathogenic bacterium.

Use a sharp pencil for drawing bar charts.

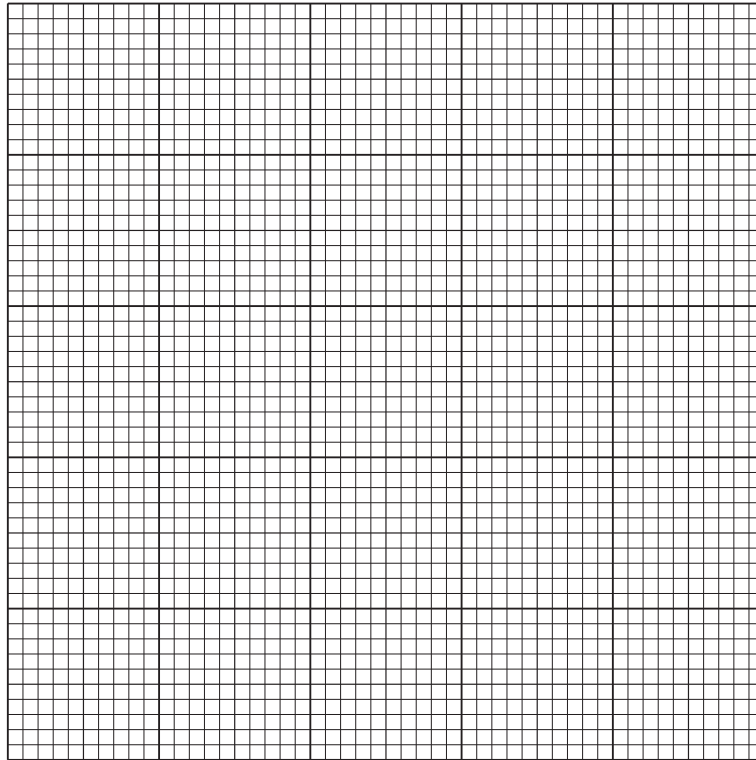


Fig. 1.3

[4]

- (ii) A scientist studied the results in Table 1.3 and noticed that one type was most affected by chemical **C**. The scientist decided to carry out further experiments to learn more about the effects of chemical **C** on this type of bacterium.

State which type of bacterium in Table 1.3 the scientist should use for further experiments. Give a reason for your answer.

type of bacterium

reason

.....

[1]

[Total: 22]

2 **M1** is a slide of a stained transverse section through a plant leaf.

You are not expected to be familiar with this specimen.

Use a sharp pencil for drawing.

(a) (i) Draw a large plan diagram of the section of the leaf (midrib) shown by the shaded area in Fig. 2.1.

Use **one** ruled label line and the label **X** to identify a region containing xylem tissue.



Fig. 2.1

You are expected to draw the correct shape and proportions of the different tissues.

[5]

- (ii) Observe the upper epidermis of the leaf on **M1**. The upper epidermis has no guard cells.

Select **one** group of two adjacent, touching cells from the upper epidermis and one adjacent, touching cell from the palisade tissue below.

Each cell must touch at least one of the other cells.

Make a large drawing of this group of **three** cells.

Use **one** ruled label line and the label **P** to identify a structure that produces ATP.

[4]

- (b) Fig. 2.2 is a photomicrograph of a stained transverse section of part of a leaf from a different species. A grid has been placed over the photomicrograph to help you answer the question. Each square is 1 cm².

You are not expected to be familiar with this specimen.

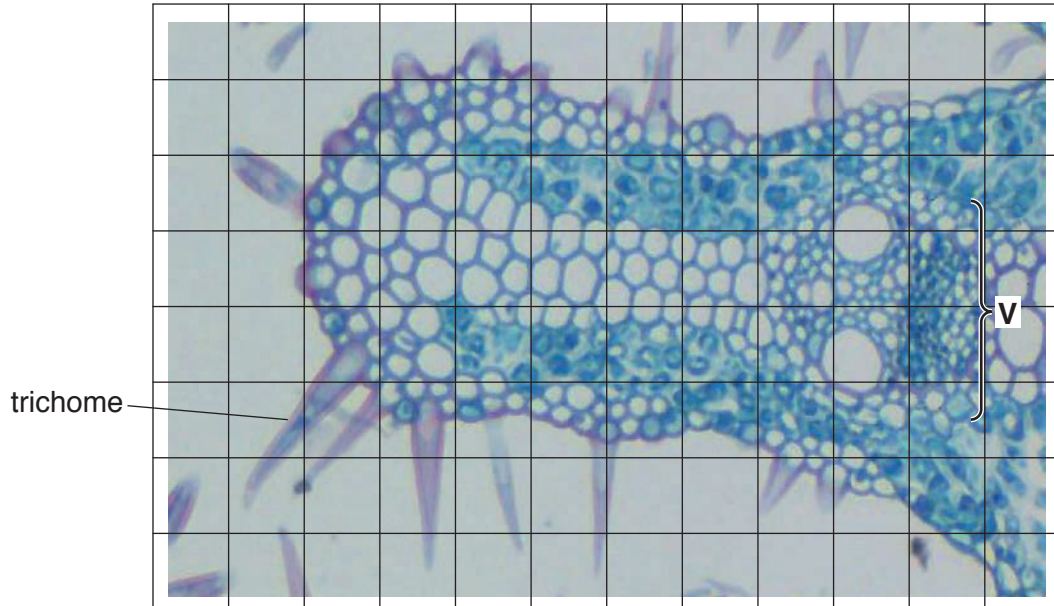


Fig. 2.2

- (i) Describe how you will use the grid to find the total area of the part of the leaf shown in Fig. 2.2. You do **not** need to include the trichomes.

.....

 [1]

- (ii) Use the procedure you have described in (b)(i) to find:

the total area of the part of the leaf shown in Fig. 2.2 cm²
 the area of the leaf section occupied by the vascular bundle, labelled V. cm²
 [2]

- (iii) Calculate the percentage of the part of the leaf shown in Fig. 2.2 that is occupied by the vascular bundle, labelled **V**.

Show all the steps of your working.

..... % [2]

- (iv) Suggest how you could modify the procedure you have used in (b)(ii) to give a more accurate estimate of the area of the leaf.

.....
[1]

- (c) Observe the leaf on **M1** and the part of the leaf shown in Fig. 2.2 and identify the differences between them.

Record the observable differences in Table 2.1.

Table 2.1

feature	M1	Fig. 2.2

[3]
 [Total: 18]

BLANK PAGE

Permission to reproduce items where third-party owned material protected by copyright is included has been sought and cleared where possible. Every reasonable effort has been made by the publisher (UCLES) to trace copyright holders, but if any items requiring clearance have unwittingly been included, the publisher will be pleased to make amends at the earliest possible opportunity.

To avoid the issue of disclosure of answer-related information to candidates, all copyright acknowledgements are reproduced online in the Cambridge International Examinations Copyright Acknowledgements Booklet. This is produced for each series of examinations and is freely available to download at www.cie.org.uk after the live examination series.

Cambridge International Examinations is part of the Cambridge Assessment Group. Cambridge Assessment is the brand name of University of Cambridge Local Examinations Syndicate (UCLES), which is itself a department of the University of Cambridge.