



Cambridge IGCSE™

CANDIDATE
NAME

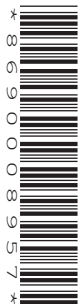
--

CENTRE
NUMBER

--	--	--	--	--

CANDIDATE
NUMBER

--	--	--	--



CAMBRIDGE INTERNATIONAL MATHEMATICS

0607/12

Paper 1 (Core)

February/March 2022

45 minutes

You must answer on the question paper.

You will need: Geometrical instruments

INSTRUCTIONS

- Answer **all** questions.
- Use a black or dark blue pen. You may use an HB pencil for any diagrams or graphs.
- Write your name, centre number and candidate number in the boxes at the top of the page.
- Write your answer to each question in the space provided.
- Do **not** use an erasable pen or correction fluid.
- Do **not** write on any bar codes.
- Calculators must **not** be used in this paper.
- You may use tracing paper.
- You must show all necessary working clearly and you will be given marks for correct methods even if your answer is incorrect.
- All answers should be given in their simplest form.

INFORMATION

- The total mark for this paper is 40.
- The number of marks for each question or part question is shown in brackets [].

This document has **8** pages.

Formula List

Area, A , of triangle, base b , height h . $A = \frac{1}{2}bh$

Area, A , of circle, radius r . $A = \pi r^2$

Circumference, C , of circle, radius r . $C = 2\pi r$

Curved surface area, A , of cylinder of radius r , height h . $A = 2\pi rh$

Curved surface area, A , of cone of radius r , sloping edge l . $A = \pi rl$

Curved surface area, A , of sphere of radius r . $A = 4\pi r^2$

Volume, V , of prism, cross-sectional area A , length l . $V = Al$

Volume, V , of pyramid, base area A , height h . $V = \frac{1}{3}Ah$

Volume, V , of cylinder of radius r , height h . $V = \pi r^2 h$

Volume, V , of cone of radius r , height h . $V = \frac{1}{3}\pi r^2 h$

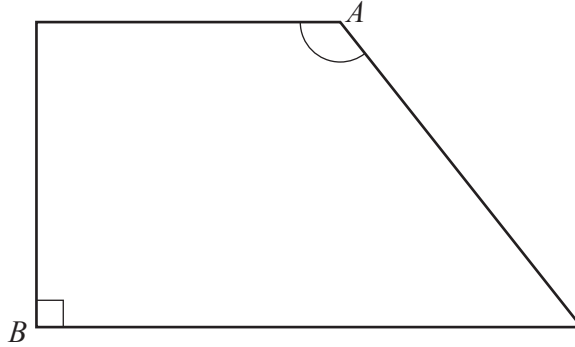
Volume, V , of sphere of radius r . $V = \frac{4}{3}\pi r^3$

Answer **all** the questions.

- 1 Write $\frac{1}{2}$ as a percentage.

.....% [1]

2



Write down the mathematical name for

- (a) angle A ,

..... [1]

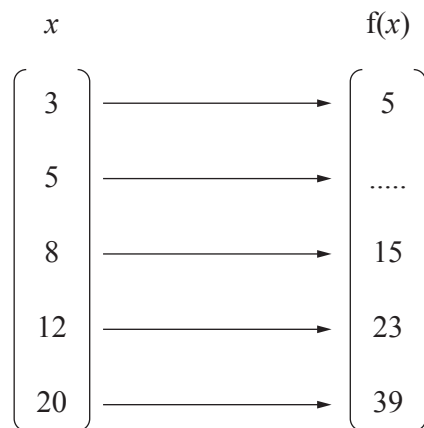
- (b) angle B .

..... [1]

- 3 Write down the second triangle number.

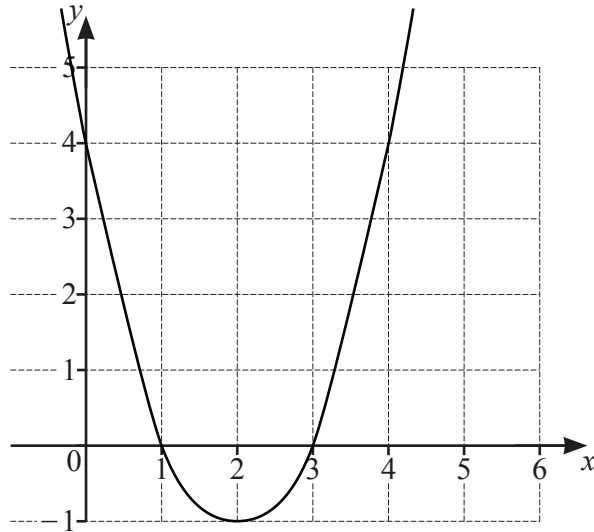
..... [1]

- 4 Complete the mapping diagram.



[1]

5



(a) Plot the point (3, 4). [1]

(b) Write down the coordinates of one of the points where the curve crosses the x -axis.
 (.....,) [1]

6 Work out.

$$2 \times (3 + 4)$$

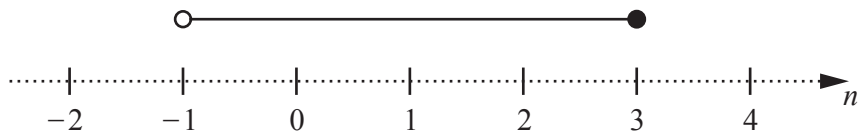
..... [1]

7 Work out.

$$\sqrt[3]{8} + 4^2$$

..... [2]

8



Complete the statement.

This number line shows the inequality $-1 < n$ 3. [1]

9 These are the scores of 10 students in a mathematics test.

29 17 9 11 11 24 9 31 11 19

(a) Find the mode.

..... [1]

(b) Work out the median.

..... [2]

10 Work out 20% of 45.

..... [1]

11 $A = \{x \mid x \text{ is a positive integer less than } 10 \text{ and } x \text{ is a multiple of } 4\}$

List the elements of set A .

..... [1]

12 Sam and his brother share \$42 in the ratio 2 : 5.
Sam has the larger share.

Find the amount Sam has.

\$ [2]

- 13** Sara pays \$1 per day for her mobile phone.
In one week she can make 100 minutes of free calls.
All other calls are charged at 50 cents per minute.

Work out the **total** amount Sara pays in one week when she makes 120 minutes of calls.

\$ [3]

- 14 (a)** Alys rolls a fair six-sided die.

Find the probability that Alys rolls a 2.

..... [1]

- (b)** Elora has a six-sided die.
She thinks that her die is biased.
She rolls it 100 times to test it.

- (i)** Complete the table.

Number on die	1	2	3	4	5	6
Frequency	5	15	18	16	16	
Relative frequency	0.05	0.15				

[2]

- (ii)** Write down the number Elora is most likely to get when she rolls her die.

..... [1]

- 15** Factorise completely.

$$24xy + 8x$$

..... [2]

16 Simplify.

$$x^2 \times x$$

..... [1]

17 Write down the highest common factor (HCF) of 5 and 7.

..... [1]

18 A is the point (3, 8) and B is the point (5, -2).

Find the coordinates of the mid-point of AB .

(..... ,) [2]

19 Write down the two rational numbers from this list.

$$\frac{2}{3} \quad \sqrt{3} \quad 2 \quad \pi$$

..... [1]

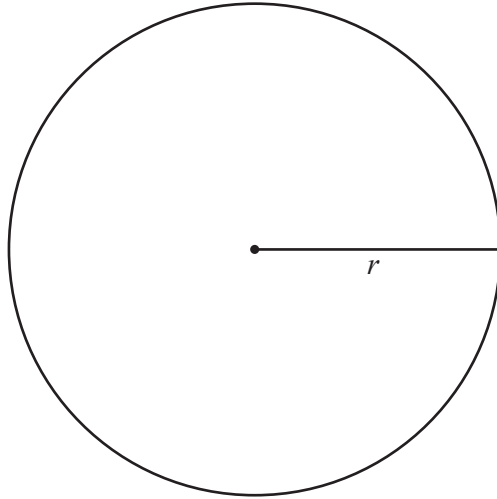
20 A bag contains 5 silver coins and 2 gold coins.
Gill takes a coin at random from the bag and then replaces it.
She does this a second time.

Find the probability that both coins are gold.

..... [2]

Questions 21, 22 and 23 are printed on the next page.

21

NOT TO
SCALE

The area of the circle is $16\pi \text{ cm}^2$.

Find the radius, r , of the circle.

..... cm [2]

- 22 In triangle ABC , $AB = AC = x \text{ cm}$.
 BC is 4 cm longer than AB .

Find an expression, in terms of x , for the perimeter of this triangle.
Give your answer in its simplest form.

..... [2]

- 23 Work out $(4 \times 10^{-3}) \times (3 \times 10^{-5})$.
Give your answer in standard form.

..... [2]

Permission to reproduce items where third-party owned material protected by copyright is included has been sought and cleared where possible. Every reasonable effort has been made by the publisher (UCLES) to trace copyright holders, but if any items requiring clearance have unwittingly been included, the publisher will be pleased to make amends at the earliest possible opportunity.

To avoid the issue of disclosure of answer-related information to candidates, all copyright acknowledgements are reproduced online in the Cambridge Assessment International Education Copyright Acknowledgements Booklet. This is produced for each series of examinations and is freely available to download at www.cambridgeinternational.org after the live examination series.

Cambridge Assessment International Education is part of Cambridge Assessment. Cambridge Assessment is the brand name of the University of Cambridge Local Examinations Syndicate (UCLES), which is a department of the University of Cambridge.