



Cambridge Assessment International Education
Cambridge International General Certificate of Secondary Education

CANDIDATE
NAME

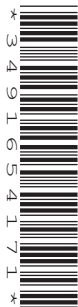
--

CENTRE
NUMBER

--	--	--	--	--

CANDIDATE
NUMBER

--	--	--	--



COMPUTER SCIENCE

0478/12

Paper 1 Theory

October/November 2019

1 hour 45 minutes

Candidates answer on the Question Paper.

No Additional Materials are required.

No calculators allowed.

READ THESE INSTRUCTIONS FIRST

Write your centre number, candidate number and name in the spaces at the top of this page.

Write in dark blue or black pen.

You may use an HB pencil for any diagrams, graphs or rough working.

Do not use staples, paper clips, glue or correction fluid.

DO NOT WRITE IN ANY BARCODES.

Answer **all** questions.

No marks will be awarded for using brand names of software packages or hardware.

Any businesses described in this paper are entirely fictitious.

At the end of the examination, fasten all your work securely together.

The number of marks is given in brackets [] at the end of each question or part question.

The maximum number of marks is 75.

bestexamhelp.com

This syllabus is regulated for use in England, Wales and Northern Ireland as a Cambridge International Level 1/Level 2 Certificate.

This document consists of **10** printed pages and **2** blank pages.

1 Computer memory size is measured in multiples of bytes.

Four statements about computer memory sizes are given in the table.

Tick (✓) to show if the statement is **True** or **False**.

Statement	True (✓)	False (✓)
25 kB is larger than 100 MB		
999 MB is larger than 50 GB		
3500 kB is smaller than 2 GB		
2350 bytes is smaller than 2 kB		

[4]

2 The Von Neumann model for a computer system uses several components in the fetch-execute cycle. One component that is used is the Control Unit (CU).

Identify **four** other components that are used in the Von Neumann model for a computer system.

- 1
- 2
- 3
- 4

[4]

3 The data from a sensor must be converted from analogue to digital to be processed by a computer.

(a) State what is meant by analogue data.

.....
 [1]

(b) State what is meant by digital data.

.....
 [1]

4 An 8-bit binary register contains the value:

0	0	1	1	0	1	0	0
---	---	---	---	---	---	---	---

(a) Convert the binary value to denary.

.....
..... [1]

(b) The contents of the register shifted one place to the right would give the result:

0	0	0	1	1	0	1	0
---	---	---	---	---	---	---	---

The contents of the register shown at the start of question 4 are shifted two places to the left.

Show the contents of the register after this shift has taken place.

--	--	--	--	--	--	--	--

[1]

(c) State the effect this shift has on the denary value in **part (a)**.

.....
..... [1]

5 Audrey wants to send a sound file to Nico using email.

The file is too large to attach to an email so Audrey decides to compress the file.

She uses lossy compression to reduce the size of the sound file.

(a) Describe how lossy compression reduces the size of the sound file.

.....
.....
.....
.....
.....
.....
.....
.....
.....
..... [4]

(b) Nico asks Audrey why she used lossy compression rather than lossless.

(i) State **one** advantage Audrey could give of using lossy rather than lossless to compress the sound file.

.....
..... [1]

(ii) State **one** disadvantage Nico could give of using lossy rather than lossless to compress the sound file.

.....
..... [1]

(c) Audrey sometimes records MIDI files.

(i) Explain what is meant by a MIDI file.

.....
.....
.....
.....
.....
.....
.....
.....
.....
..... [4]

(ii) MIDI uses serial data transmission.

Explain **two** advantages of using serial transmission rather than parallel transmission.

Advantage 1

.....
.....
.....

Advantage 2

.....
.....
.....

[4]

6 Touch screen technologies can be described as resistive or capacitive.

Six statements are given about resistive and capacitive technology.

Tick (✓) to show if the statement applies to Resistive or Capacitive technology.

Statement	Resistive (✓)	Capacitive (✓)
This touch screen has multi-touch capabilities		
This touch screen cannot be used whilst wearing gloves		
This touch screen is made up of two layers with a small space in between		
This touch screen uses the electrical properties of the human body		
This touch screen is normally cheaper to manufacture		
This touch screen has a quicker response time		

[6]

7 Gerald uses a keyboard to enter a website address into the address bar of his browser.

(a) Describe how Gerald's key presses on his keyboard are processed by the computer.

.....

.....

.....

.....

.....

.....

.....

.....

.....

.....

.....

.....

.....

.....

.....

.....

.....

.....

.....

.....

.....

.....

.....

[4]

(b) State **three** functions of a browser.

1

.....

2

.....

3

.....

[3]

(c) The website Gerald visits uses https.

Explain what is meant by https.

.....

.....

.....

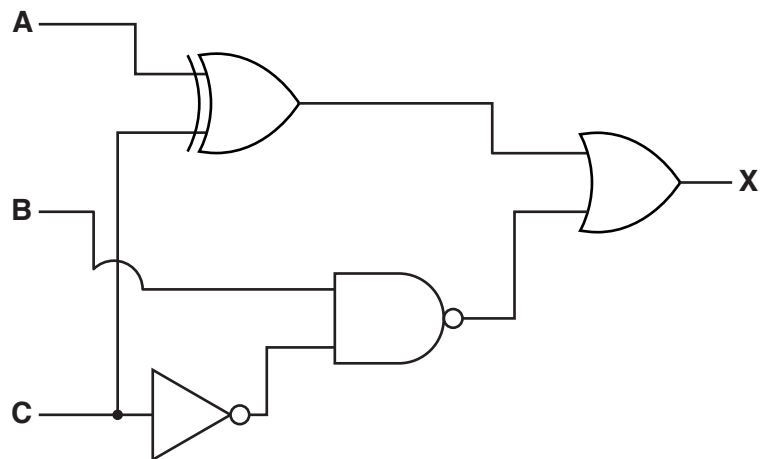
.....

.....

.....

[3]

8 Consider the logic circuit:



(a) Write a logic statement to match the given logic circuit.

..... [3]

(b) Complete the truth table for the given logic circuit.

A	B	C	Working space	X
0	0	0		
0	0	1		
0	1	0		
0	1	1		
1	0	0		
1	0	1		
1	1	0		
1	1	1		

[4]

9 Maisey purchases a new router and attaches it to her computer. The connection she sets up uses duplex data transmission.

(a) Five statements are given about duplex data transmission.

Tick (✓) to show if the statement is **True** or **False**.

Statement	True (✓)	False (✓)
Duplex data transmission can be either serial or parallel		
Duplex data transmission is when data is transmitted both ways, but only one way at a time		
Duplex data transmission is always used to connect a device to a computer		
Duplex data transmission is when data is transmitted both ways at the same time		
Duplex data transmission automatically detects any errors in data		

[5]

(b) Maisey’s computer uses an integrated circuit (IC) for data transmission that sends multiple bits at the same time.

State whether the IC uses **serial** or **parallel** data transmission.

..... [1]

(c) Maisey purchases a new printer and connects it to her computer using the USB port.

Explain **two** benefits of using a USB connection.

Benefit 1

.....

.....

.....

Benefit 2

.....

.....

.....

[4]

10 Data is valuable to a company.

- (a) Companies use error detection methods to make sure that data is accurate.

One error detection method is the use of a check digit.

Explain what is meant by a check digit and how it is used to detect errors.

.....

.....

.....

.....

.....

.....

.....

.....

.....

..... [4]

- (b) Companies can use a range of security methods to keep their data secure.

Identify **two** security methods that a company can use to keep their data secure **and** explain how each method can keep the data secure.

Security method 1

.....

.....

.....

.....

Security method 2

.....

.....

.....

.....

.....

[6]

11 Robert has a mobile device that uses RAM, ROM and an SSD.

(a) State what the RAM, ROM and SSD are used for.

RAM

.....

ROM

.....

SSD

.....

[3]

(b) Give **two** reasons why an SSD, rather than a HDD, is used in the mobile device.

Reason 1

.....

Reason 2

.....

[2]

BLANK PAGE

Permission to reproduce items where third-party owned material protected by copyright is included has been sought and cleared where possible. Every reasonable effort has been made by the publisher (UCLES) to trace copyright holders, but if any items requiring clearance have unwittingly been included, the publisher will be pleased to make amends at the earliest possible opportunity.

To avoid the issue of disclosure of answer-related information to candidates, all copyright acknowledgements are reproduced online in the Cambridge Assessment International Education Copyright Acknowledgements Booklet. This is produced for each series of examinations and is freely available to download at www.cambridgeinternational.org after the live examination series.

Cambridge Assessment International Education is part of the Cambridge Assessment Group. Cambridge Assessment is the brand name of the University of Cambridge Local Examinations Syndicate (UCLES), which itself is a department of the University of Cambridge.